

Renewable Energy Solutions From MIBEC LTD

BUFFER TANKS
and
ACCUMULATORS



ACQ. REF. R/C GBVT
VERTICAL INERTIAL HOT/COLD WATER TANK BOX



SUITABLE FOR OUTDOOR INSTALLATION.
HIGH THERMAL INSULATION

Capacity	ACQ. R/C. GB VT	
[liters]	ART. NR.	
100	3001162310501	
200	3001162310502	
300	3001162310503	
500	3001162310504	
800	3001162310505	
1000	3001162310506	

WORKING PRESSURE	OPERATING TEMPERATURE
Pmax	Tmax
6 bar	-10°C / +95°C

Technical descriptions

These tanks are used for the accumulation for hot or cold water heating system. In this way they avoid that the generator or compressor is continually working. This item is manufactured in raw carbon steel. They do not need any internal anti-corrosion treatment since only primary circuit (heating) water can be stored.

Material

Carbon steel

Application

Storage of chilled water for Air Conditioning installations.

External lining

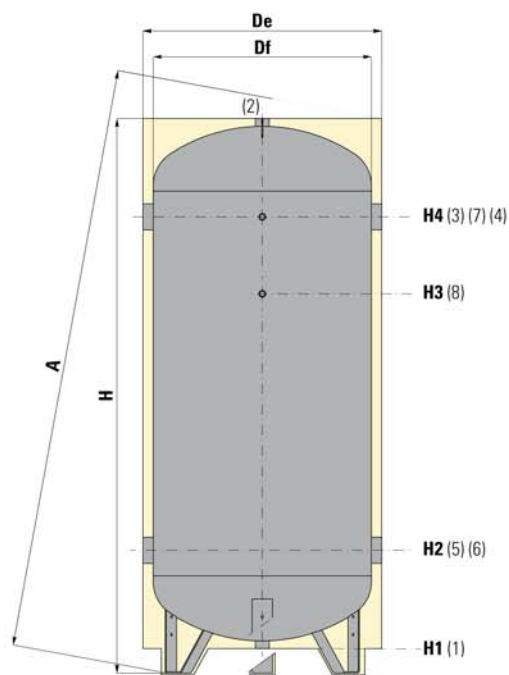
Galvanized sheet cover. Color grey.

Insulation

30mm Hard foam polyurethane thermal conductivity 0.023 W/mK
Surfaces are treated with a special stain-remover that makes easy the removal of the insulation at the end of the technical life of the product.

Warranty

2 years
See general sales terms and conditions.



CONNECTIONS	
1	Drain
2	Safety valve
3	Connections to the system
4	
5	
6	
7	Instrumentation 1/2" gas F
8	

Capacity	Df	De	H	A	H1	H2	H3	H4	1-2	3-4-5-6	
[liters]	[mm]									CONNECTIONS Gas F	
100	400	457	1007	1015	73	287	592	792	1" 1/4	1" 1/2	
200	450	513	1407	1458	68	297	927	1177	1" 1/4	1" 1/2	
300	550	620	1519	1641	129	404	994	1244	1" 1/4	2"	
500	650	720	1811	1949	121	441	1241	1491	1" 1/4	3"	
800	750	830	2108	2266	108	458	1458	1758	1" 1/4	3"	
1000	850	930	2162	2354	96	479	1479	1779	1" 1/2	3"	

P.E.D. product planned and produced in conformity to the article 3.3 of directive 92/23/CEE

ACQ. REF. ZB VT
VERTICAL GALVANIZED CHILLED WATER TANK BOX INSULATION

Capacity	ACQ. REF. ZB VT	
[liters]	ART. NR.	
100	3001162310001	
200	3001162310002	
300	3001162310003	
500	3001162310004	
800	3001162310005	
1000	3001162310006	



PROMPT DELIVERY
Grey highlighted products are dispatched in 1-5 working days. (Delivery time excluded)



WORKING PRESSURE	OPERATING TEMPERATURE
Pmax	Tmax
6 bar	-10°C / +60°C

Technical descriptions

These tanks are used for the accumulation for hot or cold water heating system. In this way they avoid that the generator or compressor is continually working.

Application

Storage of chilled water for Air Conditioning installations.

External lining

Galvanized sheet cover. Color grey.

Corrosion proof treatment

These tanks are galvanized inside and outside, with immersion in a pool of fused zinc with pureness not below 99,99% (Uni EN 1179)

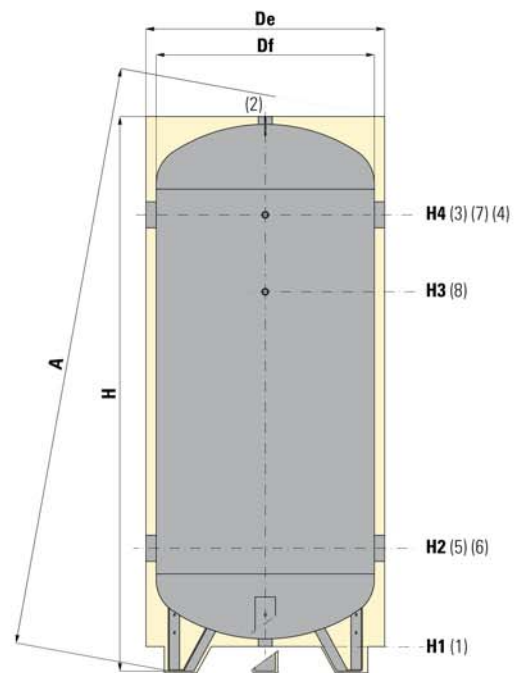
Insulation

30mm Hard foam polyurethane thermal conductivity 0.023 W/mK
Surfaces are treated with a special stain-remover that makes easy the remove of the insulation at the end of the technical life of the product.

Warranty

2 years
See general sales terms and conditions.

CONNECTIONS	
1	Drain
2	Safety valve
3	Connections to the system
4	
5	
6	Instrumentation 1/2" gas F
7	
8	



INERTIAL
TANKS

P.E.D. product planned and produced in conformity to the article 3.3 of directive 92/23/CEE

Capacity	Df	De	H	A	H1	H2	H3	H4	1-2	3-4-5-6
[liters]	[mm]								CONNECTIONS Gas F	
100	400	457	1007	1015	73	287	592	792	1" 1/4	1" 1/2
200	450	513	1407	1458	68	297	927	1177	1" 1/4	1" 1/2
300	550	620	1519	1641	129	404	994	1244	1" 1/4	2"
500	650	720	1811	1949	121	441	1241	1491	1" 1/4	3"
800	750	830	2108	2266	108	458	1458	1758	1" 1/4	3"
1000	850	930	2162	2354	96	479	1479	1779	1" 1/2	3"