

Extra 1 WX DHW Calorifier

Mild Steel Polywarm®



APPLICATION

Production and storage of domestic hot water (DHW).

MATERIAL

Mild steel Polywarm® coated (Attestation ACS - SSICA - EN 16421 - WRAS - WRAS)

HEAT EXCHANGER

Stainless steel 316L Antilegionella® heat exchanger, with tubes bent to the bottom

INSULATION

- HARD: High thermal insulation with ecological polyurethane hard foam.

- SOFT: NOFIRE® polyester fleece 100% made of recyclable material, with high thermal insulation. Fire resistance class B-s2d0 according to EN 13501.

Grey PVC external lining.

CATHODE PROTECTION

Magnesium anode. Models > 1500 n° 2 magnesium anodes.

DRAIN

External confluence through drain connection. Models > 1000 external confluence through drain pipe.

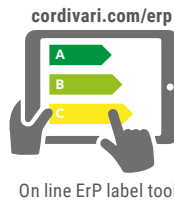
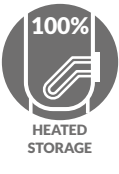
GASKET- FLANGE PLATE

Silicone gaskets suitable for water intended for human consumption (tested according to 98/83/CE), max temperature up to 200°C. Mild steel exchanger head with anticorrosion treatment.

WARRANTY

5 years (See general sales conditions and warranty)

ACCESSORIES AND SPARE PARTS: See Accessories section for the entire list.



On line ErP label tool



EXTRA 1 WXB

Model	HARD FOAM INSULATION Art. Nr.	HEAT EXCHANGER SURFACE [m²]	ENERGY EFFICIENCY CLASS
200	3072162360122	0,5	B
300	3072162360123	0,75	C
500	3072162360124	1	C
800	3072162360125	1,5	B
1000	3072162360126	2	C
1500	3072162360127	3	C
2000	3072162360128	4	B



EXTRA 1 WXC

Model	REMOVABLE SOFT FLEECE insulation Art. Nr.	HEAT EXCHANGER SURFACE [m²]	ENERGY EFFICIENCY CLASS
500	3072162360134	1	C
800	3072162360135	1,5	C
1000	3072162360136	2	C
1500	3072162360137	3	C
2000	3072162360138	4	C
2500	3072162360113	5	
3000	3072162360109	6	
4000	3072162360110	8	
5000	3072162360112	10	

ACCESSORIES

ELECTRIC IMMERSION HEATERS

Mod.	Heated volume by electric immersion heater [lt]	MONOPHASE		
		1,5 kW	2 kW	3 kW
200	49	87	65	44
300	76	136	102	68
500	127	228	171	114
800	178	318	239	159
1000	243	436	327	218
1500	288	516	387	258
2000	443	793	595	396
2500	577	1033	775	517
3000	577	1033	775	517
4000	797	1428	1071	714
5000	1040	1864	1398	932

THREEPHASE				
4 kW	5 kW	6 kW	9 kW	12 kW
5240000000047	5240000000048	5240000000049	5240000000050	5240000000031
Ignition time from 10 °C to 45 °C with electric immersion heaters [min]				
33	//	//	//	//
51	//	//	//	//
85	68	57	//	//
120	96	80	//	//
163	131	109	73	54
194	155	129	86	65
297	238	198	132	99
387	310	258	172	129
387	310	258	172	129
535	428	357	238	178
699	559	466	311	233

HEAT MANAGER kit + electric resistance with probe and 3m cable

Art. Nr.	ELECTRICAL RESISTANCE
5240000000074	1,5 kW
5240000000075	2 kW
5240000000076	3 kW

See Accessories section

Titanium electronic anode

For art. nr. and prices please see Accessories section



Thermometer

Art. Nr.
5032240000107
5 units box



Tel: +44 (0) 1782 959170 Web: www.mibec.co.uk

Extra 1 WX DHW Calorifier

Mild Steel Polywarm®

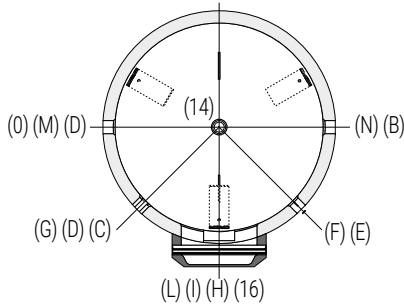
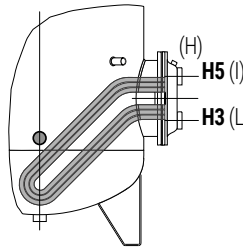
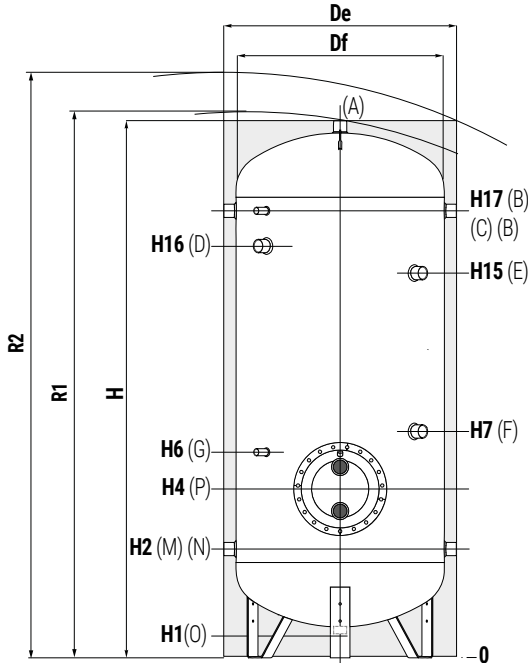
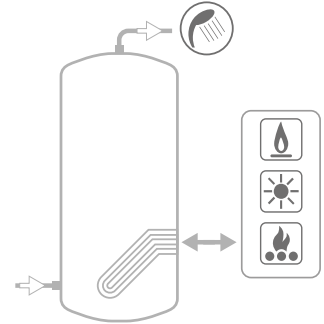
EXTRA CALORIFIERS AND
DHW ACCUMULATION
TANKS

Model	STORAGE		HEAT EXCHANGER	
	Pmax	Tmax	Pmax	Tmax
200 ÷ 1000	8 bar	90 °C	12 bar	110 °C
1500 ÷ 5000	6 bar			



—CORDIVARI Lab

TÜV Rheinland Energie und Umwelt GmbH states that test procedures and Cordivari LAB are certified conforming to European standard EN 15332, as indicated by Ecodesign ErP Directive.



- A** Domestic hot water outlet
- B** Recirculation / Domestic hot water outlet
- C** Connection for instrumentation 1/2" G F
- D** Connection for electric immersion heater 1 1/2" F. For models > 800 connection 2" F
- E** Connection for 2nd magnesium anode 1 1/4" F (only for models > 1500)
- F** Connection for magnesium anode 1" 1/4 G F
- G** Connection for instrumentation 1/2" G F
- H** Heat exchanger drain 3/8" F
- I** Primary circuit inlet 1" F. For models > 500 connection 2" F
- L** Primary circuit outlet 1" F. For models > 500 connection 2" F
- M** Domestic cold water circuit inlet
- N** Alternative domestic cold water circuit inlet or connection for more tanks in series
- O** Drain
- P** Heat exchanger flange

Only the models from 1500 to 5000 are equipped with a practical **skirt** support which facilitate the handling with transpallets and forklifts. Also, discharge piping already mounted to allow **total emptying**.

EXTRA 1 WXB - HARD FOAM INSULATION

Model	Volume Weight		De	H	R2	H1	H2	H3	H4	H5	H6	H7	H15	H16	H17	P	B A O		
	[lt]	[kg]															M-N	Connections F	
200	191	52	550	1449	1560	85	325	360	410	460	520	650	//	1075	1185	Øi220/Øe300	1"1/4	1"1/4	1"1/4
300	292	65	650	1499	1640	85	350	385	435	485	545	735	//	1100	1210	Øi220/Øe300	1"1/4	1"1/4	1"1/4
500	500	83	750	1800	1960	85	375	410	460	510	570	760	//	1329	1485	Øi220/Øe300	1"1/4	1"1/4	1"1/4
800	794	139	900	2135	2330	85	405	450	540	630	690	870	//	1610	1765	Øi300/Øe380	1"1/4	1"1/2	1"1/4
1000	1042	181	1000	2221	2450	105	458	503	593	683	743	993	//	1664	1818	Øi300/Øe380	1"1/2	2"	1"1/2
1500	1445	224	1100	2415	2660	109	440	585	675	765	825	1075	//	1895	2050	Øi300/Øe380	1"1/2	2"	1"
2000	1978	279	1300	2492	2820	91	467	587	692	797	867	842	1952	1877	2057	Øi350/Øe430	2"	2"	1"

EXTRA 1 WXC - REMOVABLE SOFT FLEECE INSULATION

Model	Vol. Weight		De	Df	H	R1	R2	H1	H2	H3	H4	H5	H6	H7	H15	H16	H17	P	B A O		
	[lt]	[kg]																	M-N	Connections F	
500	500	90	870	650	1841	1998	2090	101	416	451	501	551	611	801	//	1370	1526	Øi220/Øe300	1"1/4	1"1/2	1"1/4
800	794	139	970	750	2188	2220	2400	113	433	478	568	658	718	898	//	1638	1793	Øi300/Øe380	1"1/4	1"1/2	1"1/4
1000	1042	181	1070	850	2242	2270	2490	101	454	499	589	679	739	989	//	1660	1814	Øi300/Øe380	1"1/2	2"	1"1/2
1500	1445	224	1210	950	2440	2495	2730	109	440	585	675	765	825	1075	//	1895	2050	Øi300/Øe380	1"1/2	2"	1"
2000	1978	279	1360	1100	2492	2570	2850	91	467	587	692	797	867	842	1952	1877	2057	Øi350/Øe430	2"	2"	1"
2500	2315	328	1350	1250	2311	2480	2690	140	551	671	776	881	951	976	1816	1732	1891	Øi350/Øe430	2"	2"	1"
3000	2921	384	1350	1250	2811	2950	3130	140	551	731	836	941	1011	1036	2316	2232	2391	Øi350/Øe430	2"	2"	1"
4000	3769	521	1500	1400	2875	3050	3250	114	570	750	855	960	1030	1035	2315	2238	2410	Øi350/Øe430	2"	2"	1"
5000	4982	657	1700	1600	2915	3130	3380	94	580	750	855	960	1030	1035	2335	2265	2420	Øi350/Øe430	2"	2"	1"



Tel: +44 (0) 1782 959170 Web: www.mibec.co.uk